

MODEL 7100 SLXP-LED

Explosion-Proof Swivel Mounted Floodlight

February 2017

The 7100 SLXP-LED fixture is hazardous location rated for Class I, II, and III Divisions 1 and 2, and marine-rated for outside saltwater. The conformal coated circuit board provides extra protection against moisture, while solid state lighting allows for a 56% energy savings over a 70W metal halide fixture. Typical applications include gasoline storage tanks, petroleum refining facilities, paint and chemical storage areas, tank inspection and cleaning, grain storage facilities, and cargo hold areas.



Product Features

Light Source	<ul style="list-style-type: none"> ▶ Conformal coated Luxeon light emitting diode (LED) module ▶ Color Temperature: 5400-5600K ▶ Light Output: 2540 lumens (fixture) ▶ Rated life: 50,000 hours ▶ Optics: Flood (45°) & Spot (28°) options
Power	<ul style="list-style-type: none"> ▶ Power Consumption: 39W (fixture) ▶ Voltage Range: 120-277V, 50-60 Hz ▶ Driver: Over-voltage, over current, and short circuit protection Replaceable, fully potted (2 per fixture)
Light Body (Construction)	<ul style="list-style-type: none"> ▶ Marine-grade cast aluminum shell, cover, and sealed fittings ▶ Marine-grade wrought aluminum support base, harp, and handle bracket ▶ Threaded joints are lubricated with non-drying petrolatum ▶ Finish: Yellow thermoset powder coat ▶ Lens: 3/4" thick tempered glass
Power Factor	▶ >0.9
Base	▶ Base has three holes for flexibility to wall mount or suspend from cable and lower into silo tank or manhole
Hand Knob	▶ Sturdy hand knob permits easy aiming and tightening to maintain position
Wiring	<ul style="list-style-type: none"> ▶ Supplied with 50 ft of 16/3 type SOW cord and factory sealed service entrance fitting (25 ft of cord must be maintained by user) ▶ Plug to be supplied by user, to be sized to accept cord, and be suitable for appropriate hazardous environments
Gaskets	▶ Rubber seals on cover and lens prevent moisture and dust from entering
Ambient Operating Temperature	▶ -20°C to +40°C
Weight	<ul style="list-style-type: none"> ▶ Fixture: 26.5 lb (12.0 kg) ▶ Packaged: 29.2 lb (13.2 kg)
Carton Size	▶ 16.75 in X 16.75 in X 17.75 in (42.5 cm X 42.5 cm X 45.1 cm)

Compliances

ETL/cETL Certified to:

- ▶ UL 1598 Ordinary Locations
- ▶ UL 1598A Marine Outside Type (Saltwater)
- ▶ UL 844 Hazardous Location
 - Class I, Division 1 Groups C & D
 - Class I, Division 2 Groups A, B, C, & D
 - Class II, Division 1 & 2 Groups F & G
 - Class III, Division 1 & 2
- ▶ CSA C22.2 No. 250.0, 94.0, 213.0, 137.0, 30.0

Nema 4X

T6 (85°C) Temperature Rating

WAT Western Technology



Western Technology, Inc.
3517 Arsenal Way
Bremerton, WA 98312

Toll Free: (800) 654-5483
Local: (360) 917-0080
Fax: (360) 917-0083

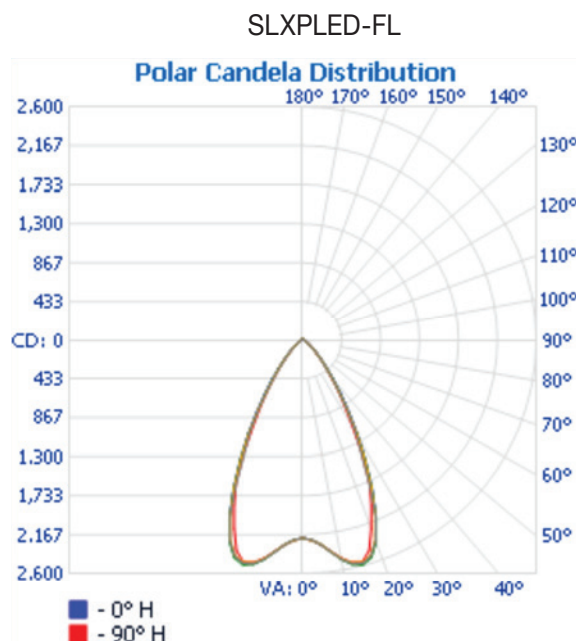
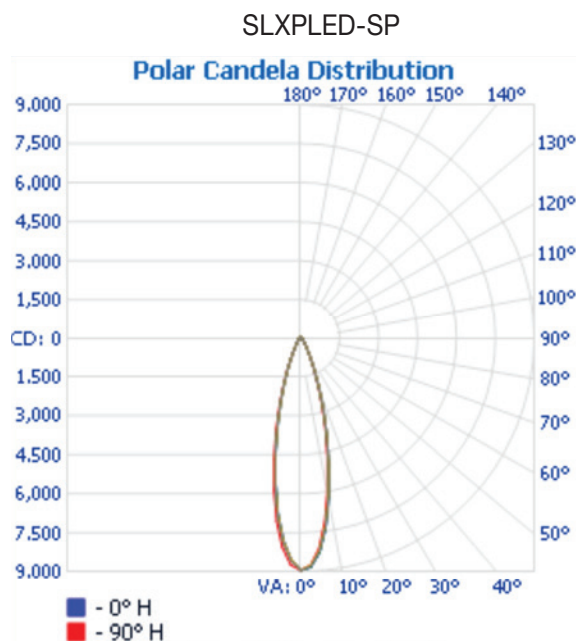
www.WesternTechnologyLights.com

MODEL 7100 SLXP-LED

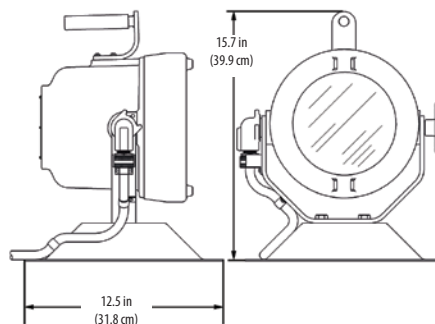
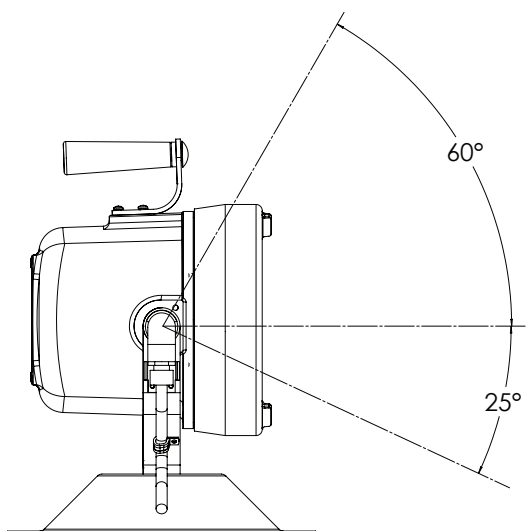
Explosion-Proof Swivel Mounted Floodlight

February 2017

Photometrics



Aiming Chart



Western Technology has taken reasonable steps to ensure that the information contained herein is accurate. While we believe the information is accurate, no warranty is made or implied. Product design and specifications are subject to change without notice.