

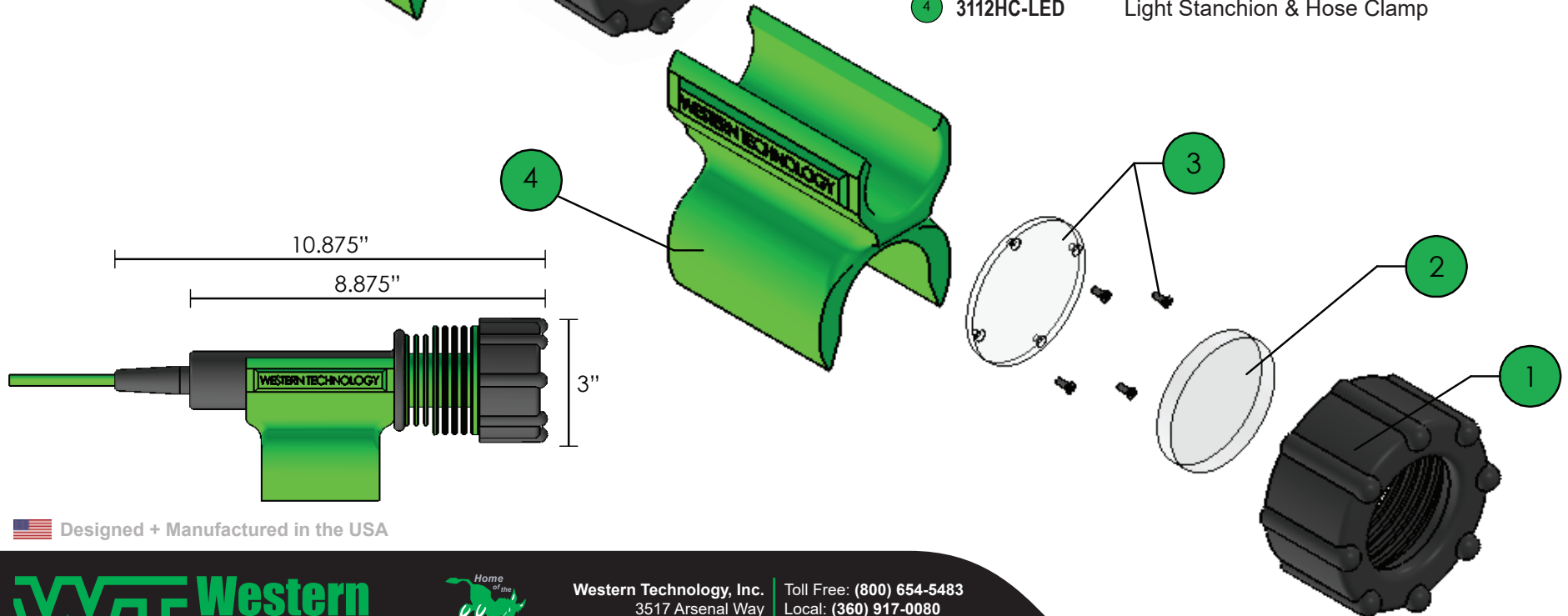
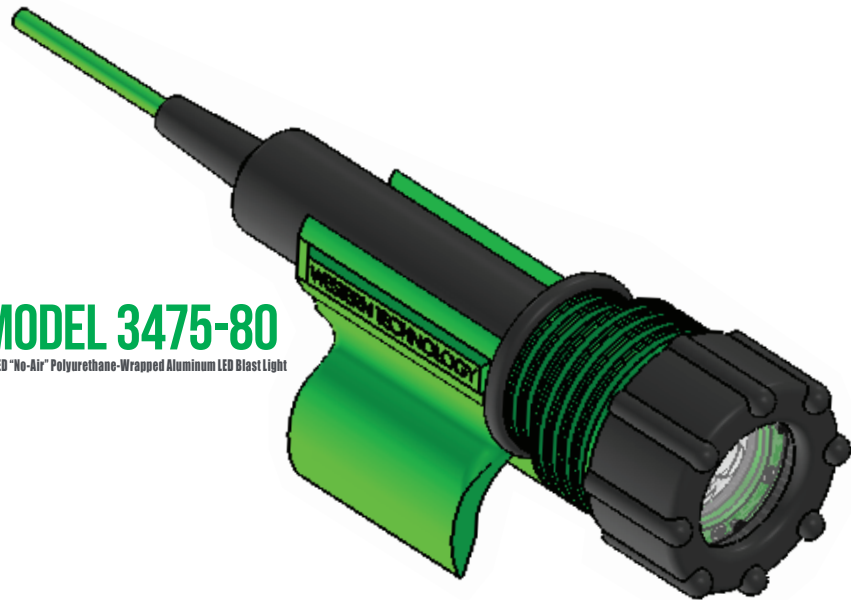
HT 3475™

by WESTERN TECHNOLOGY



MODEL 3475-80

6-LED "No-Air" Polyurethane-Wrapped Aluminum LED Blast Light



REPLACEMENT ACCESSORIES & PARTS



| Part # | Item Description |
|-------------------|--|
| ① 3402 LED-3 | Replacement Halo for 3475/3460 Aluminum Body |
| ② 3609B | Pyrex Blast Lens (Box of 12) |
| ③ 3475 CR Lens Pk | Polycarbonate Lens (12 pk includes screws) |
| ④ 3112HC-LED | Light Stanchion & Hose Clamp |

🇺🇸 Designed + Manufactured in the USA



Western Technology, Inc.
3517 Arsenal Way
Bremerton, WA 98312

Toll Free: (800) 654-5483
Local: (360) 917-0080
Fax: (360) 917-0083

www.WesternTechnologyLights.com

© October 2019 | Western Technology, Inc.